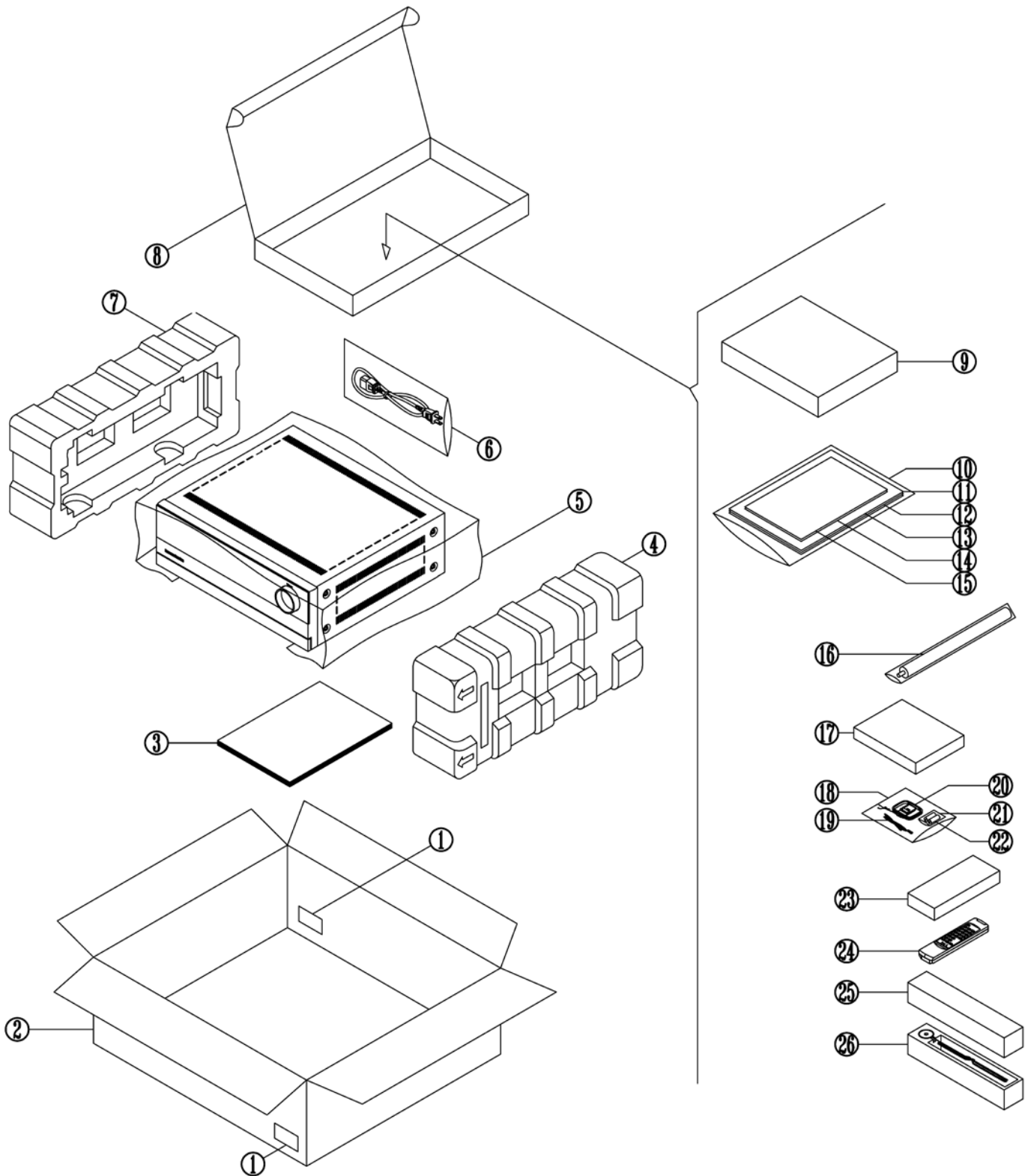


# AVR445 PACKAGING



## AVR445 PACKAGE CHART

Item#	Part Number	Description	Qty
1		LABEL BARCODE AVR445 US (120v)	1
	H03-RYD3101HA00-R	LABEL BARCODE AVR445 EU TF PRINT (230v)	2
2	ZKD3194HA00-R	BOX CARTON AVR445 US (120v)	1
	ZKD3204HA01-R	BOX CARTON AVR445 EU (230v)	1
3	ZKD3101HA00-R	OWNER'S MANUAL AVR445US (120v)	1
	ZKD3201HA00-R	OWNER'S MANUAL AVR445EU (230v)	1
4	ZQD1201HAWH-R	CUSHION POLY EPS RIGHT AVR445	1
5		FILM SHEET PE 920 X 1000	1
6	H03-WAUSA2103BK-R	120V POWER CORD WS-004C+002E SJT#14*2C L=2M	1
	H03-WAD022000BK-R	230V POWER CORD WR002 H05VVF 0.75MMSQ 2G BLACK 2000MM	1
7	ZQD1202HAWH-R	CUSHION POLY EPS LEFT AVR445	1
8		AVR445 TOTAL ACCESSORY BOX	1
9	RB18G00	REMOTE CONTROL AVR445 US (120v)	1
	H03-RYD3201HA00-R	REMOTE CONTROL AVR445 US (230v)	1
10		BAG PE 330 X245 T0.05	1
11		QUICK SETUP GUIDE AVR445	1
12		LABEL SAFETY LEAFLET	1
13	ZKC1113HA00-R	CARD WARRANTY	1
14		BROCHURE AVR US	1
15		INSERT RS232 NOTE PAPER	1
16	H03-ZPD1212INBK-R	MICROPHONE ASSY EXTENSION PIECE	1
17		BOX, ANTENNA	1
18		BAG PE 160X180MM	1
19	H03-WAB01200203-R	ANTENNA WIRE 75 T15011N-1 US (120v)	1
	H03-WAD01200303-R	ANTENNA WIRE 75 OHM WIRE T15011F-1 EU (230v)	1
20	H03-ATALF039ABK-R	ANTENNA WIRE ANTENNA LOOP-300	1
21		POLYBAG, BATTERY	1
22		BATTERY ALKALINE 1.5V AAA	2
23		BOX, ZONE II REMOTE CONTROL	1
24	RH15B00	REMOTE CONTROL ZONE 2 AVR445 (120v)	1
	H03-RYD2702HA01-R	REMOTE CONTROL ZONE 2 AVR445 (230v)	1
25		BOX, MIC	1
26	H03-MCD12TWBKNN	AVR445 MICROPHONE ASSY	1